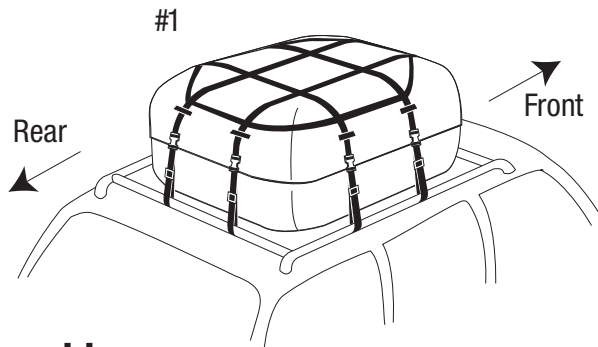


INSTRUCTIONS

RAINX® ROOF TOP CARGO BAG

Important:

- Designed for use on vehicles with roof racks ONLY.
- Clean the mounting surface and the bottom of bag to avoid scratching.



Assembly:

- Remove net and Cargo Bag from carton and fit net on bag as shown in #1.

Loading:

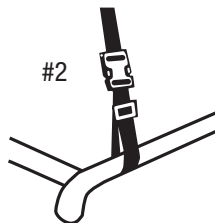
- Unzip the Cargo Bag and center it on top of vehicle between the cross supports of the luggage rack. Be sure to position the ZIPPER **rainx** logo, and WARNING TAG facing towards the REAR of the vehicle.
- Try to distribute the weight evenly. For best results, fill spaces with soft items (e.g. pillows, jackets, blankets).
- Do NOT throw heavy items into Cargo Bag as this may result in broken cargo or dents in the roof of car.

Securing:

The net is equipped with 8 adjustable connections to facilitate attachment to a variety of rack sizes. To attach the net, use either of the following:

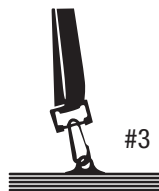
Beam Method

Loop the net straps around the cross and side beams. Latch buckles and tighten straps as required. (#2)



Clip Method

Net includes snap clips on each strap for securing the bag to rack rings. Snap clips into rings and tighten. (#3)



For Best Results:

- Clips can be tucked under if not needed.
- After adjusting straps, secure remaining strap lengths DO NOT LEAVE LOOSE.
- Periodically check straps during travel, tighten.
- Use a small padlock on zipper, for security.
- Basic size is 36" x 36" x 18". With Packing, it will expand to a usable storage volume of 15 cubic feet.

⚠ WARNING ⚠

- Read all warnings, instructions, and vehicle owner's manual before use. Failure to heed may result in personal and/or property damage.
- Use ONLY on vehicles with roof racks.
- Do NOT use if any damage or wear is showing on bag, straps or latches.
- This product will NOT prevent dents resulting from improper loading, securing, or driving.
- Use ONLY with all 8 straps connected to roof rack. Always secure straps before driving.
- Do NOT machine wash or dry. To clean, use mild soap and water and dry by open air.
- If bag is damp, air dry before folding or storing to prevent mildew. Do not store in direct sunlight for long periods of time.
- Do NOT exceed vehicle manufacturer's roof rack rating.
- Zipper is NOT to face the front of the vehicle, this will reduce water resistance.
- Do NOT leave mounted on vehicle without cargo.
- Mounting surface MUST be clean at all times during use.
- Do NOT exceed speed limit. If you hear a flapping noise when driving, immediately pull over and check to make sure all straps are secure and tight.
- Do NOT attempt to remove fully loaded bag off vehicle.
- Use of this bag may raise the center of gravity for your vehicle and affect the performance. Please refer to your vehicle owner's manual for proper guidelines.
- Use of this bag may decrease gas mileage due to the increased wind resistance of the additional cargo space located on top of your vehicle. Please refer to your vehicle owner's manual for proper guidelines.

Questions? Comments?

Please call 877-572-2602 or +1-310-639-0666.

We welcome your comments, calls and questions. Please look for our entire family of innovative products in your favorite automotive department.

auto|expressions®



Distributed by Auto Expressions, LLC
505 E. Euclid Avenue, Compton, CA 90224

www.autoexpressions.com

© 2012 Auto Expressions, LLC.

All Rights Reserved.

#21211
ns 0811