

## ASSEMBLY INSTRUCTIONS (See Fig. 7 & 8)

1. Assemble Base (Q,R) to Fan Housing (P) making sure the cord is enclosed between base (Q,R). Secure together with 2 Thumb screws (S). Refer to Fig.7 for proper alignment of assembled Base to Fan Housing.
2. Secure Power Cord (T) to bottom of Base (Q,R) using the Cord Clamp (V) with 2 crosshead screws (U). Refer to Fig.8.

## OPERATING INSTRUCTIONS (See Fig. 2, 4, 5, 6)

### BT18-

To turn on unit (continuous use):

1. Plug in unit
2. Turn timer ⌚ (B) to I (ON)
3. Select speed setting button I (Low), II (Med), III (High) (A).

To turn unit OFF:

Select Speed Button ○ (A) (OFF) or turn Timer ⌚ (B) to ○ (OFF)

To use Timer Control:

Select a Speed Button (A) I, II or III and turn Timer ⌚ (B) to desired time (up to 120 minutes)

To use Oscillation Control:

Press 🌀 (C) = Oscillation On, Off

### BT19-

Remote Control:

Remote Control requires 2 AAA batteries for operation. There is a slot on the back of the unit (Refer to Fig. 6) to store the remote when not in use.

To turn unit ON (continuous use):

Press ⏻/⏩ (E)- Select a speed I (Low), II (Med), III (High) shown by the Speed Indicator lights (D). Ref. to Fig.4.

To turn unit OFF:

Press ⏻/⏩ (E)

To use Timer Control:

Press ⌚ (K) select desired time for Power to turn OFF in 1, 2, 4, 8 hours shown by the Timer Indicator lights (J). Ref. to Fig.4.

To use Oscillation Control:

Press 🌀 (I) = Oscillation On, Off

To use Breeze/Sleep Modes:

Press ⏻/⏩ (F) Select Natural Breeze or Sleep Breeze shown by the Indicator lights (G).

- Natural Breeze Mode ⏻ will randomly cycle through the fan speed settings from High, Medium, Low & OFF to simulate a natural breeze until the user turns the unit OFF.
- Sleep Breeze Mode ⏩ will automatically cycle through the fan speed settings, starting at High for 3 hours, then Medium for 2 hours, then on Low until user turns the unit OFF.

## CLEANING AND MAINTENANCE

- Always unplug the fan before cleaning or assembly.
- Clean the fan with a soft cloth moistened with a mild soap solution.
- **DO NOT** allow water to drip on or into the fan motor housing.
- **DO NOT** open the unit for cleaning.

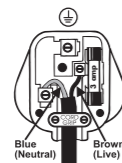
The manufacturer reserves the right to change or modify any specifications without notice.

## FITTING A REPLACEMENT PLUG FOR U.K. AND IRELAND ONLY.

If the plug is not suitable for the socket outlets in your home, it can be removed and replaced by a plug of the correct type. For correct type and correct installation please refer to "Installation of a plug" below.

## INSTALLATION OF A PLUG – Applicable to U.K. and Ireland.

This product is fitted with a 13A plug complying to BS1363. If this plug is unsuitable or needs to be replaced, please note the following: The wires in the mains lead are coloured as such: BROWN - LIVE BLUE - NEUTRAL



**NOTE:** If the terminals in the plug are not marked or if you are unsure or in doubt about the installation of the plug please contact a

qualified electrician. If a 13A 3-pin plug is fitted, it must be an ASTA approved plug, conforming to BS1363 standard. Replacement 3A fuses must be BSI or ASTABS1362 approved.

Please note that the colour of these mains wires may not correspond with the colour markings that identify the terminals in your plug. Please proceed as follows:

The BROWN coloured wire must be connected to the terminal, which is marked with the letter "L" or is coloured RED.

The BLUE coloured wire must be connected to the terminal, which is marked with the letter "N" or is coloured BLACK.

DO NOT CONNECT either of these wires to the earth terminal in the plug. The earth terminal plug is marked with the letter "E", or with the earth symbol, (⊕) or coloured GREEN, or GREEN and YELLOW. Please proceed as follows:

## GUARANTEE

PLEASE KEEP YOUR RECEIPT AS THIS WILL BE REQUIRED FOR ANY CLAIMS UNDER THIS GUARANTEE.

This appliance is guaranteed for 3 years after your purchase as described in this document. During this guarantee period, if in the unlikely event the appliance no longer functions due to a design or manufacturing fault, please take it back to the place of purchase, with your till receipt and a copy of this guarantee.

The rights and benefits under this guarantee are additional to your statutory rights, which are not affected by this guarantee. Only Holmes Products (Europe) Ltd. ("Holmes") has the right to change these terms.

Holmes undertakes within the guarantee period to repair or replace the appliance, or any part of appliance found to be not working properly free of charge provided that:

- you promptly notify the place of purchase or Holmes of the problem; and
- the appliance has not been altered in any way or subjected to damage, misuse, abuse, repair or alteration by a person other than a person authorised by Holmes.

Faults that occur through, improper use, damage, abuse, use with incorrect voltage, acts of nature, events beyond the control of Holmes, repair or alteration by a person other than a person authorised by Holmes or failure to follow instructions for use are not covered by this guarantee. Additionally, normal wear and tear, including, but not limited to, minor discoloration

and scratches are not covered by this guarantee.

The rights under this guarantee shall only apply to the original purchaser and shall not extend to commercial or communal use.

If your appliance includes a country-specific guarantee or warranty insert please refer to the terms and conditions of such guarantee or warranty in place of this guarantee or contact your local authorized dealer for more information.

Waste electrical products should not be disposed of with Household waste. Please recycle where facilities exist. E-mail us at enquiriesEurope@jardencs.com for further recycling and WEEE information.

Holmes Products (Europe) Limited  
1 Francis Grove  
London  
SW19 4DT  
UK



# BIONAIRE®

Holmes Products (Europe) Ltd.  
1 Francis Grove  
London SW19 4DT  
England

Fax: +44 (0)20 8947 8272

Email: enquiriesEurope@jardencs.com

Website address: www.bionaire.com

UK - Free phone Customer Service Helpline – 0800 052 3615



©2008 Sunbeam Products, Inc. doing business as Jarden Consumer Solutions. All rights reserved. Imported and distributed by Holmes Products (Europe) Ltd., 1 Francis Grove, London SW19 4DT, United Kingdom.

Made in PRC

SPR-112008  
P.N.130046

# BIONAIRE®

# TOWER FAN

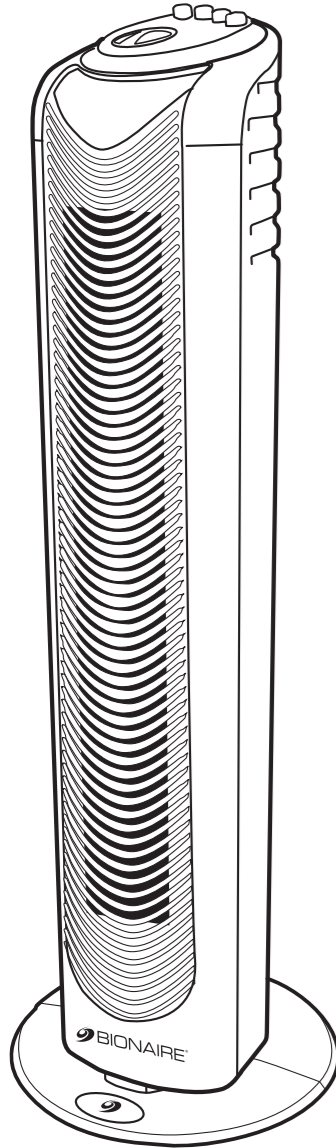
BT18

BT19

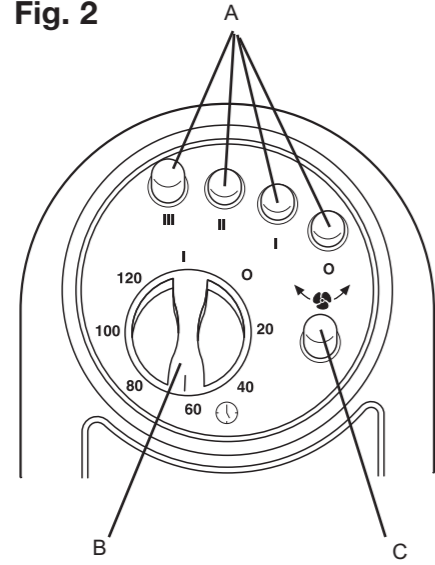


## INSTRUCTION MANUAL

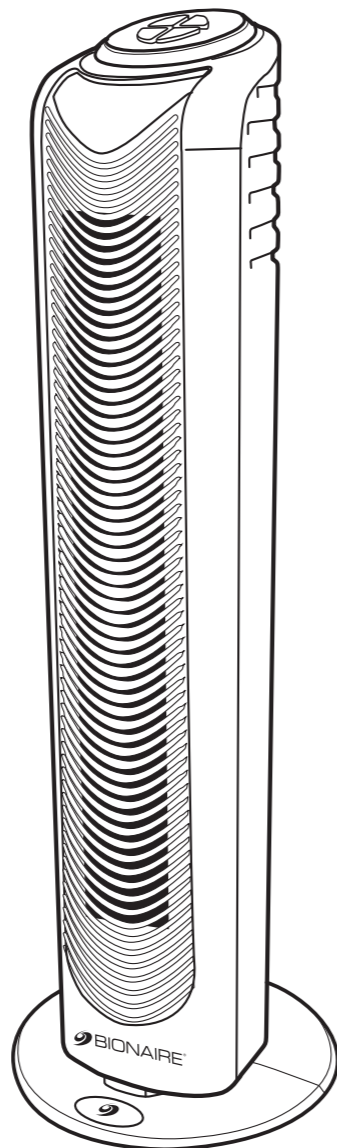
**BT18  
Fig. 1**



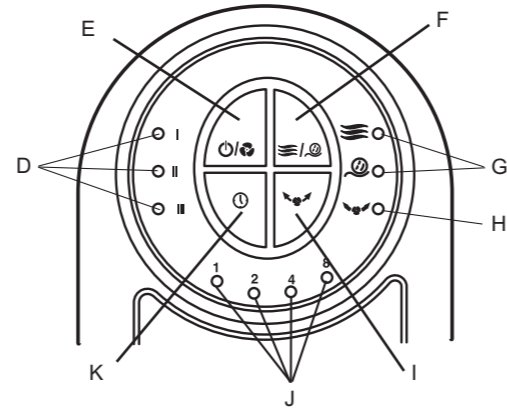
**Fig. 2**



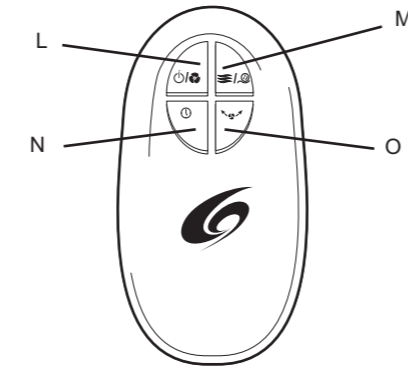
**BT19  
Fig. 3**



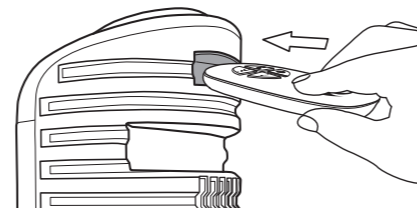
**Fig. 4**



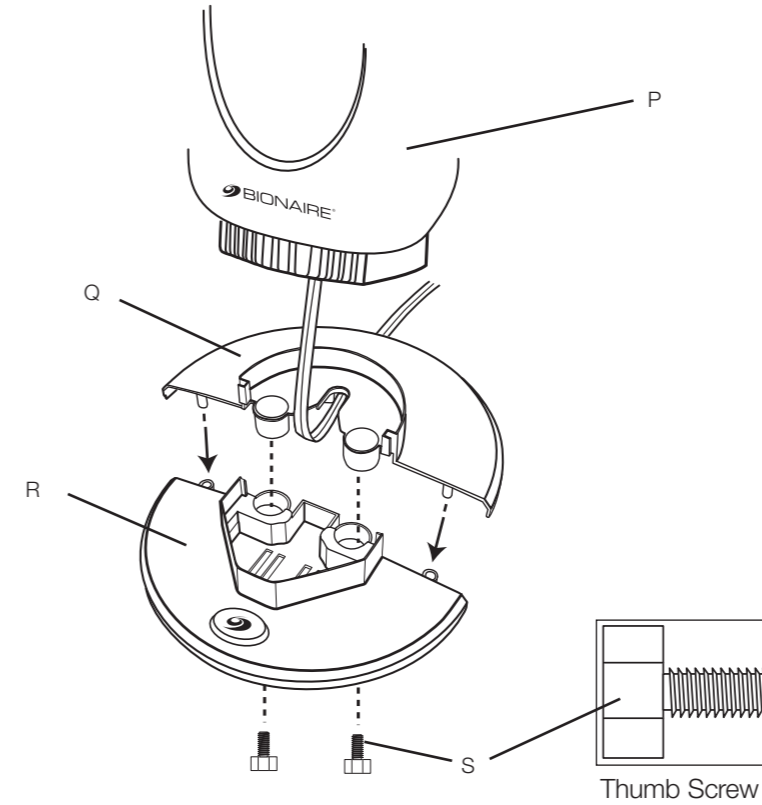
**Fig. 5**



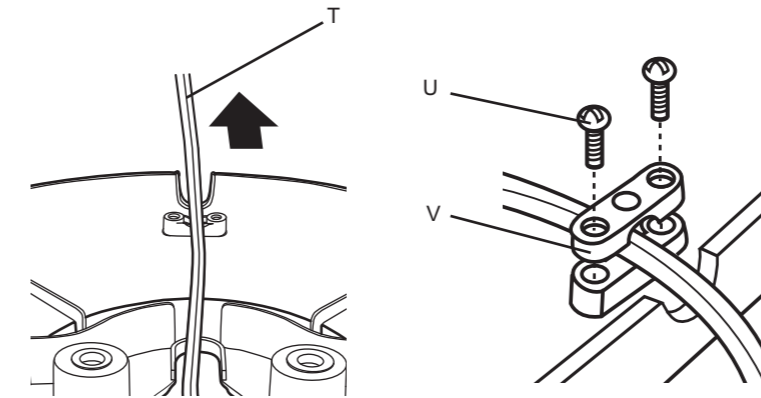
**Fig. 6**



**Fig. 7**



**Fig. 8**



**U.K. and IRELAND**

**PLEASE READ AND SAVE THESE IMPORTANT INSTRUCTIONS**

When using electrical appliances, basic safety precautions should always be taken including the following:-

- Use the fan only for purposes described in the instruction manual.
- To protect against electrical shock, do not immerse the fan, plug or cord in water or spray with liquids.
- Close supervision is necessary when any appliance is used by or near children.
- Unplug from the electrical outlet when not in use, when moving the fan from one location to another, before putting on or taking off parts and before cleaning.
- Avoid contact with any moving parts.
- **DO NOT** operate in the presence of explosive and/or flammable fumes.
- **DO NOT** place the fan or any parts near an open flame, cooking or other heating appliance.
- **DO NOT** operate any appliance with a damaged cord, plug, after the appliance malfunctions, or has been dropped/damaged in any manner.
- The use of attachments not recommended or sold by the appliance manufacturer may cause hazards.
- **DO NOT** use outdoors.
- **DO NOT** let the cord hang over the edge of a table or counter, or come into contact with hot surfaces.
- To disconnect from the electrical supply, grip the plug and pull from the wall outlet. **DO NOT** pull on the cord.
- Always use on a dry, level surface.
- The fan should not be operated without its column and base fitted.
- The fan should not be operated laying on its side.
- This product is intended for household use **ONLY** and not for commercial or industrial applications.
- Keep cord out of heavy traffic areas and to avoid fire hazard, never put the cord under rugs or any heat source.
- Should the fan stop working, first check the fuse in the plug (UK only) or fuse/circuit breaker at the distribution board is operating, before contacting the manufacturer or service agent.

- If the supply cord or plug is damaged, it must be replaced by the manufacturer or its service agent or a similarly qualified person in order to avoid hazard.
- Under the environment with electrical fast transient, the product may malfunction and require user to switch the unit off and unplug in order for the product to operate again.
- This appliance is not intended for use by persons (including children) with reduced physical, sensory or mental capabilities, or lack of experience and knowledge, unless they have been given supervision or instruction concerning use of the appliance by a person responsible for their safety. Children should be supervised to ensure that they do not play with the appliance.
- **WARNING:** To reduce the risk of fire or electric shock, **DO NOT** use this fan with any solid-state speed control device

**DESCRIPTIONS (See Fig. 1-8):**

**BT18 Control Panel-**

- A. Speed Control Buttons
- B. Timer Control Knob
- C. Oscillation Control Button

**BT19 Control Panel-**

- D. Speed Indicator Lights
- E. Power/Speed Button
- F. Breeze/Sleep Mode Buttons
- G. Breeze /Sleep Mode Indicator Lights
- H. Oscillation Indicator Light
- I. Oscillation Control Button
- J. Timer Indicator Lights
- K. Timer Control Button

**Remote Control (Model BT19 only)**

- L. Power/Speed Button
- M. Breeze/Sleep Mode Button
- N. Timer Control Button
- O. Oscillation Control Button

**Base/Cord Assembly (for both BT18/BT19)**

- P. Fan housing
- Q. Rear base
- R. Front base
- S. Thumb screws (2)
- T. Power cord
- U. Crosshead screws (2)
- V. Cord clamp

**MISSING A PART FOR YOUR FAN?**

Please call 0800 052 3615 for assistance.