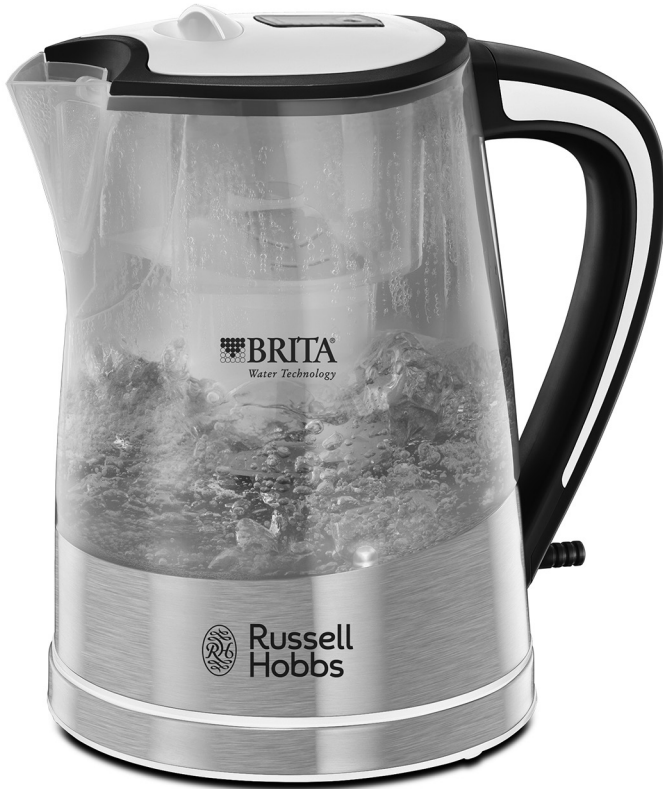


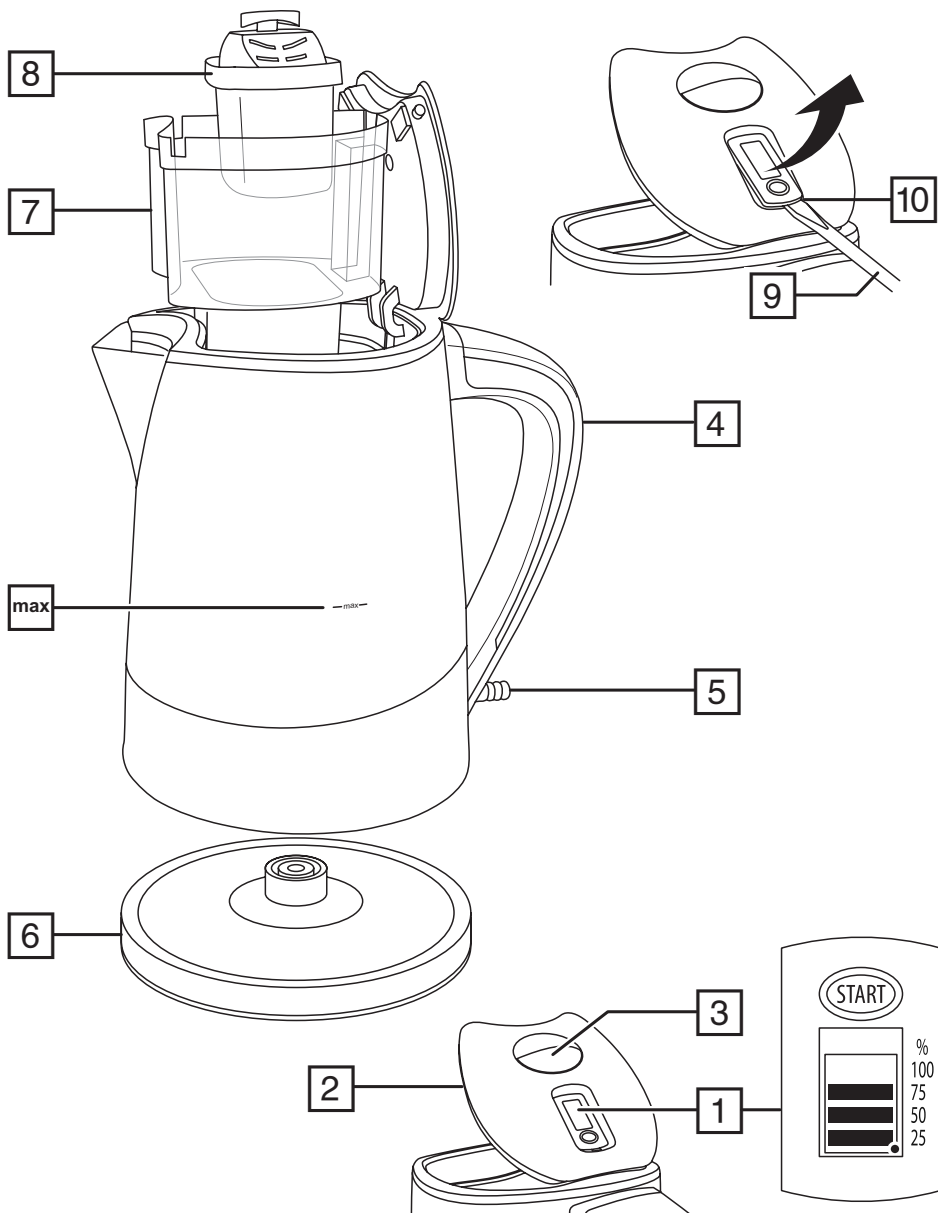


Russell Hobbs



instructions

£10,000 prize draw
EXTRA year guarantee
FREE rewards gallery
www.russellhobbs.co.uk/productregister/
Register online now!
See back for details



Read the instructions, keep them safe, pass them on if you pass the appliance on.
Remove all packaging before use.

IMPORTANT SAFEGUARDS

Follow basic safety precautions, including:

This appliance can be used by children aged from 8 years and above and persons with reduced physical, sensory or mental capabilities or lack of experience and knowledge if they have been supervised/ instructed and understand the hazards involved.

Children shall not play with the appliance.

Cleaning and user maintenance shall not be done by children unless they are older than 8 and supervised.

Keep the appliance and cable out of reach of children under 8.

 The surfaces of the appliance will get hot.

If you overfill, the kettle may spit boiling water.

Use the kettle only with the stand supplied (and vice versa).

If the cable is damaged, return the appliance, to avoid hazard.

- Don't put the kettle, stand, cable, or plug in liquid.
- Keep the kettle, stand, and cable away from the edges of worktops.
- Don't use the kettle for any purpose other than heating water.
- Use only BRITA® MAXTRA filter cartridges.
- Don't operate the appliance if it's damaged or malfunctions.

HOUSEHOLD USE ONLY

PARTS

- | | |
|-------------------------|-----------------------------------|
| 1. BRITA® Memo | 6. Stand |
| 2. Lid | 7. Funnel |
| 3. Lid release | 8. BRITA® MAXTRA filter cartridge |
| 4. Handle | 9. Screwdriver |
| 5. Switch (O off, I on) | 10. Notch |

BRITA® MAXTRA FILTER CARTRIDGE

The filter cartridge contains ion exchange resin and activated carbon.

Reduces limescale and substances, eg. chlorine, that affect taste and odour.

Reducing the impurities makes the water look and taste better, and the reduction in limescale helps your kettle too.

Remember – water is a food, it goes off. Use filtered water within one day.

BEFORE USING FOR THE FIRST TIME

- Open the lid.
- Remove the filter cartridge from inside the kettle, and jump to step 3 below.

PREPARING THE FILTER CARTRIDGE

You can find more information about BRITA® filter cartridges and the BRITA® Memo in the BRITA® Information Guide supplied with the kettle.

1. Open the lid.
2. To remove a used filter cartridge, hold the funnel firmly with one hand, grip the ring-pull with the other hand, and pull the filter cartridge up and out.
3. Remove all packaging from the new filter cartridge.
4. Don't worry if the inside of the packaging is damp – it's just condensation.
5. There might be black carbon particles in the packaging or on the filter cartridge. Don't worry, they're harmless.
6. To ensure efficient operation, all air must be removed from the filter cartridge.
7. Submerge the filter cartridge in a bowl of cold water and shake it gently till no more bubbles are released.
8. You may notice some black carbon particles floating in the water. Again, don't worry, they're harmless.
9. Before first use, you must flush the filter cartridge.
10. Push the filter cartridge into the funnel till it won't go any further.
11. Fill the funnel. Fill it again when it empties. This should fill the kettle to about the **max** mark.
12. Discard the water, and repeat the operation.
13. When you've discarded two lots of water, the filter cartridge is ready for use.

RESET THE BRITA® MEMO

This shows what proportion of the filter cartridge's 4 week life is left.

1. Press and hold the START button till all 4 bars appear and flash twice, then let go.
2. Every week, one bar will disappear.
3. When all 4 bars disappear, a flashing arrow will appear at the top of the display. This means it's time to replace the filter cartridge.
4. When the display gets down to one bar, it's a good idea to check that you've got another filter cartridge available. If you haven't, it's time to buy some.
5. The flashing dot at the bottom right of the display shows that the Memo is working.

HOLIDAYS

If you haven't used the kettle for a few days:

- empty the kettle and rinse it out
- flush the filter cartridge (see points 10-13)

FILLING

1. Open the lid.
2. Fill with at least 2 cups of water, but not above max.
3. Fill the funnel quickly.
4. Fill it again when it empties.
5. This should fill the kettle to about the **max** mark.
6. If the water level is above the max mark, pour some water out of the kettle.
7. Close the lid, and press down to lock it.

SWITCHING ON

1. Put the stand on a stable, level surface.
2. Plug the stand into the wall socket.
3. Put the kettle on the stand.
4. Move the switch to **I**. The light will come on, and the kettle will heat up.

SWITCHING OFF

When the water boils the kettle will switch off and the light will go out.

To switch off manually, move the switch to **O**.

GENERAL

When you lift the kettle, you may see moisture on the stand. Don't worry – it's the steam used to switch off automatically, which then condenses and escapes via vents under the kettle.

You may see some discolouration on the floor of the kettle. Again, don't worry – it's due to the bonding of the element to the kettle floor.

USING WITH INSUFFICIENT WATER

This will shorten the life of the element. A boil-dry cut-out will switch the kettle off.

You must then remove the kettle from its stand to reset the cut-out.

Sit the kettle on the work surface till it's cold.

CARE AND MAINTENANCE

Unplug the stand, and let the kettle cool before cleaning.

Wipe all surfaces with a clean damp cloth.

THE FUNNEL

1. Open the lid.
2. Put your thumbs inside the funnel.
3. Gently press one thumb against either side of the funnel and lift it out of the kettle.

DISPOSAL

The appliance contains a battery, which must be removed from the appliance, and recycled, or disposed of in an environmentally friendly way.

Put the end of a screwdriver in the notch above the Memo, and prise it out of the lid.

Your local authority will have arrangements for recycling or disposing of the BRITA® Memo.



FURTHER INFORMATION

You can find more information about BRITA® filter cartridges and the BRITA® Memo in the BRITA® Information Guide supplied with the kettle.

ENVIRONMENTAL PROTECTION

To avoid environmental and health problems due to hazardous substances in electrical and electronic goods, appliances marked with this symbol mustn't be disposed of with unsorted municipal waste, but recovered, reused, or recycled.

SERVICE

If you ring Customer Service, please have the **Model No.** to hand, as we won't be able to help you without it. It's on the rating plate (usually underneath the product).

The product isn't user-serviceable. If it's not working, read the instructions, check the plug fuse and main fuse/circuit breaker. If it's still not working, consult your retailer.

If that doesn't solve the problem – ring Customer Service – they may be able to offer technical advice.

If they advise you to return the product to us, pack it carefully, include a note with your name, address, day phone number, and what's wrong. If under guarantee, say where and when purchased, and include proof of purchase (till receipt). Send it to:

Customer Service

Spectrum Brands (UK) Ltd

Fir Street, Failsworth, Manchester M35 0HS

email: support@russellhobbs.com

telephone: 0845 658 9700 (local rate number)

GUARANTEE

Defects affecting product functionality appearing within two years of first retail purchase will be corrected by replacement or repair provided the product is used and maintained in accordance with the instructions. Your statutory rights are not affected.

Documentation, packaging, and product specifications may change without notice.



ONLINE

www.russellhobbs.co.uk for more products



REGISTER ONLINE FOR –



£10,000 prize draw,

EXTRA year guarantee,

FREE rewards gallery

Visit www.russellhobbs.co.uk/productregister/

You must register within 28 days of purchase.