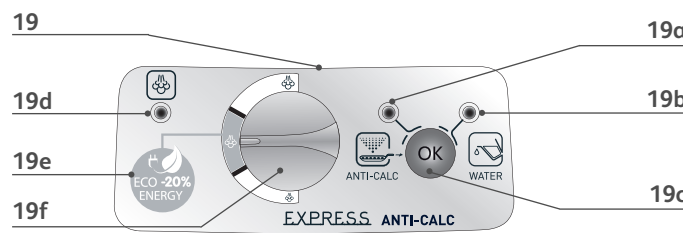
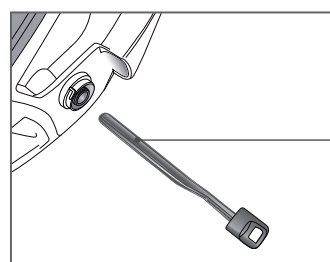
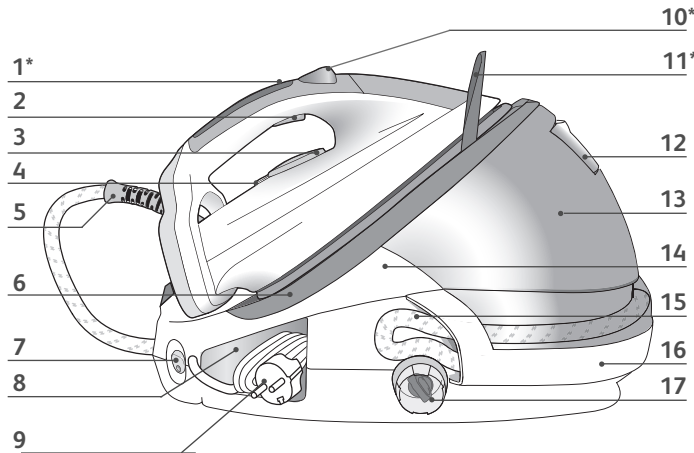
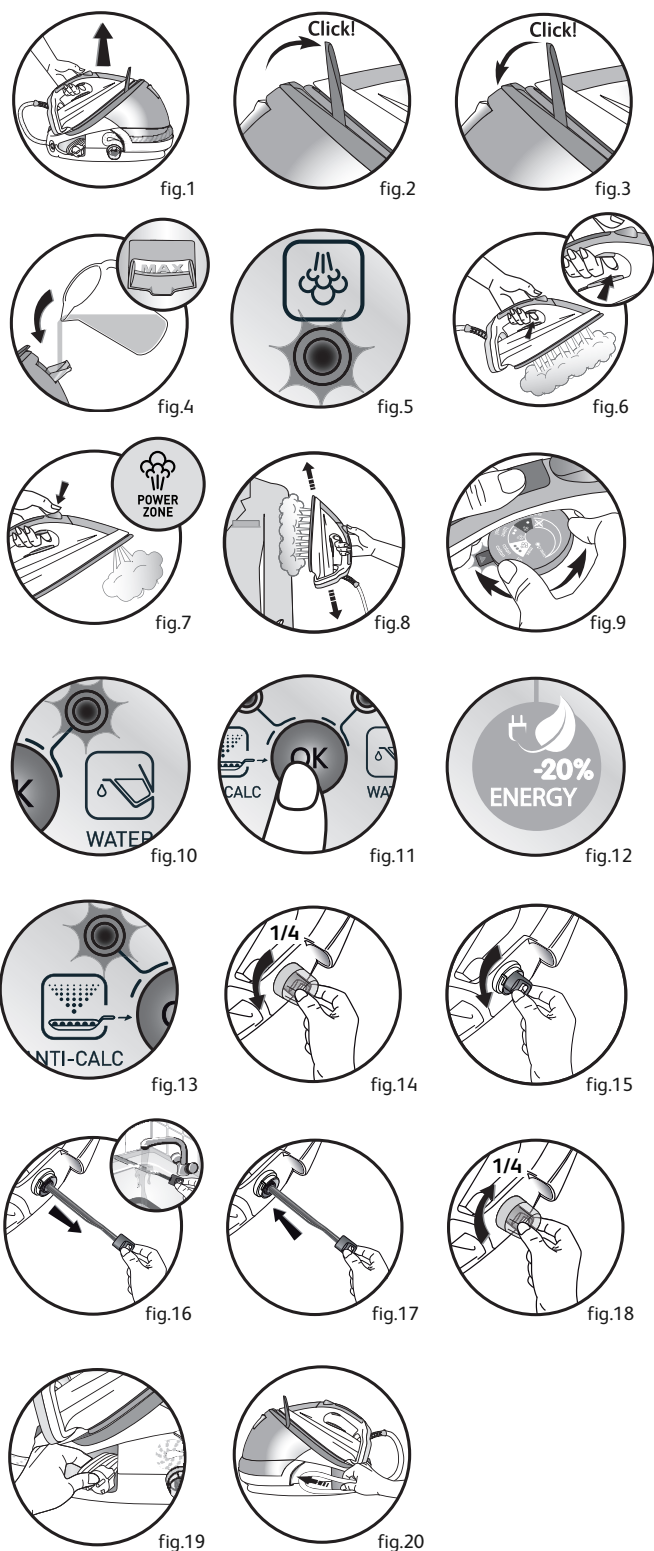




www.tefal.com



* Depending on model



Important recommendations Safety instructions

- Please read these instructions carefully before first use. This product has been designed for domestic use only. Any commercial use, inappropriate use or failure to comply with the instructions, the manufacturer accepts no responsibility and the guarantee will not apply.
- Never unplug the appliance by pulling the power cord. Always unplug your appliance:
 - before filling the water tank or rinsing the boiler,
 - before cleaning the appliance,
 - after each use,
- The appliance must be used and placed on a flat, stable, heat-resistant surface. When you place the iron on the iron rest, make sure that the surface on which you place it is stable.
- This appliance is not intended to be used by persons (including children) with reduced or impaired physical, sensory or mental capacities or persons lacking appropriate knowledge or experience, unless a person responsible for their safety provides either supervision or appropriate instructions concerning use of the appliance prior to its use.
- Children should be supervised to ensure they do not play with the appliance.
- This appliance may be used by children aged 8 or over and persons lacking appropriate knowledge or experience or persons with reduced or impaired physical, sensory or mental capacities provided that they have been thoroughly instructed regarding use of the appliance, are supervised, and understand the risks involved. Children must not be allowed to play with the appliance. Cleaning

and maintenance must not be carried out by children unless they are aged 8 or over and are supervised. Keep the appliance and power cord out of the reach of children under 8 years of age.

- The surfaces of your appliance can reach very high temperatures when functioning, which may cause burns. Do not touch the hot surfaces of the appliance (accessible metal parts and plastic parts adjacent to the metallic parts).
- Never leave the appliance unattended :
 - when it is connected to the mains,
 - until it has cooled down (around 1 hour).
- Before rinsing the boiler/rinsing the anti-scale valve (depending on the model), wait until the appliance is completely cold and has been unplugged for at least 2 hours before unscrewing the boiler rinse cap/ the scale collector cover.
- Be careful: if the boiler cap or the boiler rinse cap (depending on the model), is dropped or severely knocked, have it replaced by an Approved Service Centre, as it may be damaged.
- When rinsing the boiler, never fill it directly from the tap.
- The boiler cap mustn't be opened during use.
- The appliance must not be used if it has been dropped, if it has any visible damage, if it leaks, or if it functions abnormally in any way. Do not attempt to dismantle your appliance: have it examined at an Approved Service Centre to avoid any danger.
- Check the electrical power and steam cords for signs of wear or damage prior to use. If the electrical power cord or the steam cord is damaged, it must be replaced at an Approved Service Centre to avoid any danger.

- For your safety, this appliance conforms to all applicable regulations (Low Voltage Directive, Electromagnetic Compatibility, Environment, etc).
 - Your steam station iron is an electrical appliance: it must be used under normal conditions of use. It is designed for domestic use only.
 - It is equipped with 2 safety systems:
 - a pressure release valve designed to avoid excessive pressure. In the event of malfunction, the valve releases excess steam.
 - a thermal fuse to avoid overheating.
 - Always plug your steam station iron:
 - into a mains circuit with voltage between 220 V and 240 V,
 - into an earthed electrical socket.
- Connecting to the wrong voltage may cause irreparable damage to the appliance and will

- invalidate your guarantee.
- If you are using a mains extension lead, ensure that it is correctly rated (16A) with an earth, and is fully extended
- Completely unwind the power cord before plugging into an earthed socket.
 - The sole plate of your iron and the iron rest on the base unit can reach extremely high temperatures, and can cause burns: do not touch them. Never touch the electrical power cords with the sole plate of the iron.
 - Always use a vented/mesh ironing board and be careful of hot steam when ironing close to the edges of the board.
 - Your appliance emits steam, which can cause burns. Always handle the iron with care, especially when ironing vertically. Never direct the steam towards people or animals.
 - Never immerse your steam station iron in water or any other liquid. Never place it under a running tap.

Environment protection first!
 ① Your appliance contains valuable materials which can be recovered or recycled.
 ② Leave it at a local civic waste collection point.

PLEASE RETAIN THIS INSTRUCTION BOOKLET FOR FUTURE REFERENCE

Description

- | | |
|---|---|
| 1. Comfort handle* | 14. Steam station boiler (in the base unit) |
| 2. Steam control button | 15. Iron-base steam cord |
| 3. Iron temperature adjustment dial | 16. Slide storage place for the steam cord |
| 4. Iron thermostat light / Settings for the iron temperature button | 17. Scale collector cover |
| 5. Easycord system | 18. Scale collector |
| 6. Iron rest | 19. Control panel |
| 7. Illuminated on / off switch | a - "Anti-calc" indicator |
| 8. Power cord storage space | b - "Water tank empty" light |
| 9. Power cord | c - OK button |
| 10. Power Zone button* | d - "Steam ready" light |
| 11. Lock-System hoop* | e - ECO Zone |
| 12. Water tank filler cover | f - Steam output control dial |
| 13. Water tank 1,7 l | |
- * (depending on model)

Switch on the steam station

- Completely unwind the power cord and the steam cord from its storage space.
 - Lower the retaining hoop (depending on model) to unlock the safety catch - fig.3.
 - Plug your steam station into a mains socket.
 - Press on the on / off switch. The green light (located on the control panel) flashes and the boiler heats up - fig.5.
- When the green "steam ready" light stops flashing (after 2 minutes approximately), the appliance is ready.
- When starting, and regularly while it is being used, your steam station's electric pump injects water into the boiler. It makes a noise but this is quite normal. You may also hear a clicking noise which is the steam valve opening. Again this is normal.

The first time the appliance is used, there may be some fumes and smell but this is not harmful. They will not affect use and will disappear rapidly.

Operating the control panel

- Green light flashes: the boiler heats up - fig.5.
- Green light on: the steam is ready.
- "Water tank empty" red warning light is flashing: the water tank is empty - fig.10.
- The orange "anti-calc" indicator flashes - fig.13: you need to rinse the scale collector.

Use Steam ironing

- Place the iron's temperature control dial according to the type of fabric to be ironed (see table below).
 - The thermostat light comes on.
- Important:** whenever you start using your iron and whenever you reduce the temperature during use, the iron is ready for use when its indicator light goes out and when the green light located on the control panel comes on and remains on. During use, when you increase the temperature of the iron, you can start ironing immediately, but make sure you only increase your steam flow once the iron's light has gone out.
 - Adjust the steam output control dial (located on the control panel).
 - When the iron is in use, the iron thermostat light on the iron comes on and goes off according to the soleplate temperature requirement without this having any effect on the use of the appliance.
 - To obtain steam, press on the steam control button under the iron handle and keep it pressed - fig.6. The steam will stop when you release the button.
 - Always spray starch onto the reverse side of the fabric to be ironed.

Do not place the iron on a metal support. When taking a break from ironing, always place the iron on the iron rest plate of the unit. It is equipped with non-slip pads and has been designed to withstand high temperatures. Always use a vented/mesh ironing board and be careful of hot steam when ironing close to the edges of the board

Setting the temperature

SETTING THE TEMPERATURE AND STEAM OUTPUT ACCORDING TO TYPE OF FABRIC TO BE IRONED:		
TYPE OF FABRICS	SETTING TEMPERATURE CONTROL	SETTING STEAM OUTPUT CONTROL DIAL
Silk, Synthetics (polyester, acetate, acrylic, polyamide)	•	
Silk, Wool	••	
Linen, cotton	•••	

To prime the steam circuit,

- either before using the iron for the first time, or if you have not used the steam function for a few minutes, press the steam control button several times in a row, holding the iron away from your clothes - fig.6. This will enable any cold water to be ejected from the steam circuit.
- Iron temperature setting - fig.9:**
 - Start with the fabrics to be ironed at a low temperature (•) and finish with those which need higher temperatures (••• or Max).
 - Mixed fibre fabric: set the ironing temperature to the setting for the most delicate fabric.
 - Woolen garments: press repeatedly on the steam control button - fig.6 to obtain short bursts of steam, without placing the iron on the garment itself.
 - Steam output setting:**
 - Thick fabric: increase the steam setting.
 - At a low temperature: set the steam output control dial to the low position.

If you put your thermostat in the "min" position, the iron does not become hot.

MODE ECO:

Your steam station iron has an ECO mode function which uses less power whilst still guaranteeing a sufficient steam flow for you to iron your garments properly. In order to use this function, once the thermostat of your iron has been correctly set (see table above), position the steam flow setting on the ECO segment - fig.12. The ECO mode can be used on all types of fabrics, however, for very thick or very creased fabrics, we recommend that you use the maximum steam flow for best results.

Dry ironing

- Do not press the steam control button under the iron handle.

Vertical steam ironing

- Recommendations for fabrics other than linen or cotton, hold the iron a few centimetres from the garment to avoid burning the fabric.**
- Set the iron temperature control slide and the steam output control dial (located on the control panel) to the MAX position.
 - Hang the garment on a coat hanger and hold the fabric slightly taut with one hand.
 - As steam is very hot: never attempt to remove creases from a garment while it is being worn, always hang garments on a coat hanger.**
- Holding the iron in a vertical position - fig.6, tilted slightly forwards, press repeatedly on the steam control button (underneath the iron handle) moving the iron from top to bottom - fig.8.

Refilling the water tank

- When the "tank empty" red warning light flashes - fig.10, it means that you have no more steam. The water tank is empty.
- Unplug the steam station. Open the tank filler flap - fig.4. Fill the water tank up without exceeding the MAX level - fig.4.
- Close the water tank filler cover.
- Plug in the steam station. Press the "OK" button - fig.11, on the control panel to continue ironing. When the green indicator remains lit, the steam is ready.

Power Zone Function (according to model)

- Your appliance includes the Power Zone function: concentrated steam shot at the tip of the soleplate, to be used in particular to target stubborn creases, detailing and zones that are difficult to access.
- To use this function, press the Power Zone function on top of the iron as often as necessary - fig.7.

Maintenance and cleaning

Cleaning your steam station

- Do not use detergent or descaling products for cleaning the soleplate base-unit.
- Never hold the iron or the base unit under the tap.
- Empty and rinse the removable water tank.
- Clean the plastic parts of the appliance occasionally with a soft cloth.

Tip: for easy, non-aggressive cleaning of the sole plate of your iron, use a damp sponge to clean the sole plate while it is still warm.

Easy descaling of your steam station:

Do not use any descaling substances (vinegar, industrial descaling products, etc.) when rinsing the anti-scale valve : they could damage it. Before emptying your steam station, it must always be left to cool for 2 hours to avoid any risks of scalding.

To extend the life of your steam station and avoid scale on your ironing, your steam station is equipped with a built-in scale collector. This valve, located in the tank, automatically removes the scale that forms inside.

Operation:

- An orange “anti-scale” light located on the control panel starts blinking to tell you that the anti-scale valve needs rinsing - **fig.13.**

⚠ Important: This operation must not be carried out unless the steam station has been unplugged for at least two hours and has cooled down completely.

To carry out this operation, the steam station must be close to a sink as water may come out of the tank when it is opened.

- Once the steam station has cooled down completely, remove the scale collector cover - **fig. 14.**
- Unscrew the anti-scale valve and remove it from the housing; it contains the scale that has built up in the tank - **fig.15** and **fig.16.**
- To clean the valve properly, just rinse it under running water to remove the scale it contains - **fig.16.**
- Put the valve back into its housing and screw it in completely to keep it watertight - **fig.17.**
- Refit the scale collector cover - **fig. 18.**

The next time you use your iron, press and hold the “OK” button on the control panel for a few seconds to turn off the orange “anti-scale” light - fig. 11.

Storing the steam station

- Press the illuminated on/off switch and unplug the steam station.
- Place the iron on the housing plate on the steam station.
- Raise the retaining hoop over the iron until it locks into place (audible click) - **fig.2.**
- Your iron is then safely retained on its base. Warning: do not touch the soleplate while still hot.
- Store the steam cord in its slide storage place - **fig.19.** Take it, fold it in two so as to make a loop. Put the end of this loop in the slide storage place then push gently until you see the end on the other side of the slide storage place - **fig.20.**
- Leave the steam station to cool for at least one hour before putting it away if it is to be stored in a cupboard or confined space.
- You can store the steam station in complete safety.

Problems with your steam station?

Problems	Possible causes	Solutions
The steam generator does not switch on or the iron indicator and ON/OFF indicator do not switch on.	The appliance is not switched on.	Check that your appliance is correctly plugged in and press the illuminated on/off switch (on the front of the base-unit).
Water runs through the holes in the soleplate.	You are using the steam control button before the iron is hot enough.	Decrease the steam output while ironing at low temperature (steam output control dial on the control panel). Wait for the thermostat light to go out before activating the steam control button.
	You are using the TURBO steam control too often.	Press the TURBO steam control 2 or 3 times.
	Water has condensed in the pipes because you are using steam for the first time or you have not used it for some time.	Press the steam control on the iron away from the ironing board until steam comes out of the iron.
White streaks come through the holes in the soleplate.	Your boiler has a build-up of scale because it has not been rinsed out regularly.	Rinse the collector when the “Calc-Away System” indicator flashes. If your water is very hard, rinse it more often.
Brown streaks come through the holes in the soleplate and stain the linen.	You are using chemical descaling agents or additives in the water for ironing.	Never add this type of product in the water tank or in the boiler (see our recommendations regarding water to be used).
	Your linen is not rinsed sufficiently or you have ironed a new garment before washing it.	Ensure linen is rinsed thoroughly to remove any soap deposits or chemicals on new garments which have been sucked up by the iron.
The soleplate is dirty or brown and my stain the linen.	You are ironing at too high temperature.	See our recommendations regarding temperature control setting.
	You're linen is not rinsed sufficiently or you are using starch.	Ensure linen is rinsed thoroughly and always spray starch on the reverse side of the fabric to be ironed.
There is no steam.	The water tank is empty (water tank empty light (f) is lit).	Fill the water tank and press the “Restart” button on the control panel.
There is little steam.	The steam output control dial is set at minimum.	Increase the steam output (control dial on the control panel).
	The soleplate temperature is set to the maximum.	The generator is working but steam is very hot and dry. As a consequence, it is less visible.
Water streaks appear on the linen.	When taking a break from ironing, if your ironing board cover is soaked with water it is not suited to the power of a steam generator.	Check that your ironing board is suitable. A mesh type ironing board must be used to allow any excess steam to escape and to avoid steam venting sideways.
The red “removable water tank empty” light is on.	You have not pressed the “Restart” button.	Check there is water in the water tank. Press the “Restart” button on the control panel.
	The water tank is not correctly fitted into position.	Push it into position until it “clicks” into place.
Steam escapes from the scale collector valve.	The scale collector valve has not been tightened correctly.	Tighten the scale collector correctly.
	The scale collector valve is damaged.	Contact an Approved Service Centre to order a new scale collector valve.
	The generator is faulty.	Do not use the steam generator and contact an Approved Service Centre.
Steam escapes under the appliance.	The generator is faulty.	Do not use the steam generator and contact an Approved Service Centre.
The scale collector light stays on.	You have not pressed the restart button after descaling.	Press the restart button on the control panel.

If you have any problems or queries please call our Customer Relations team first for expert help and advice:
 0845 602 1454 - UK (01) 677 4003 - Ireland
 or consult our website - www.tefal.co.uk